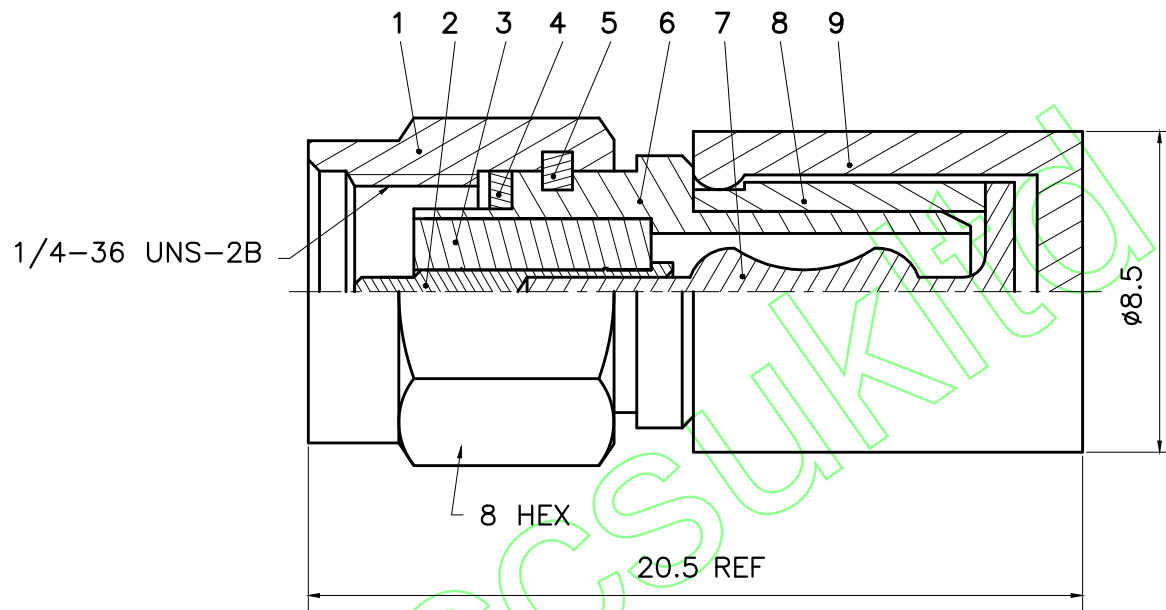


RoHS COMPLIANT



NO	DESCRIPTION	MATERIAL
9	COLOR CAP 50 OHM GREEN	PE
8	BODY	BRASS/NICKEL PLATE
7	RESISTOR 50 OHM ± 1/4W	METAL
6	BODY	BRASS/GOLD PLATE
5	RING	BRASS
4	GASKET	RUBBER
3	INSULATOR	TEFLON
2	CONTACT	BRASS/GOLD PLATE
1	COUPLING NUT	BRASS/GOLD PLATE

CONNECTORS CABLES



SPECIALISTS LTD.

APRD:		UNLESS OTHERWISE SPECIFIED TOLERANCES 0.5-5 = ±0.2 5-30 = ±0.4 30-120 = ±0.6 120-315 = ±1	TITLE: SMA MALE TERMINATOR	
CHKD:			PART NO: SMAPTER50	DRAWING NO:
DR:			UNIT: mm	DATE: 04/13/10"

ISO 9001 certificate